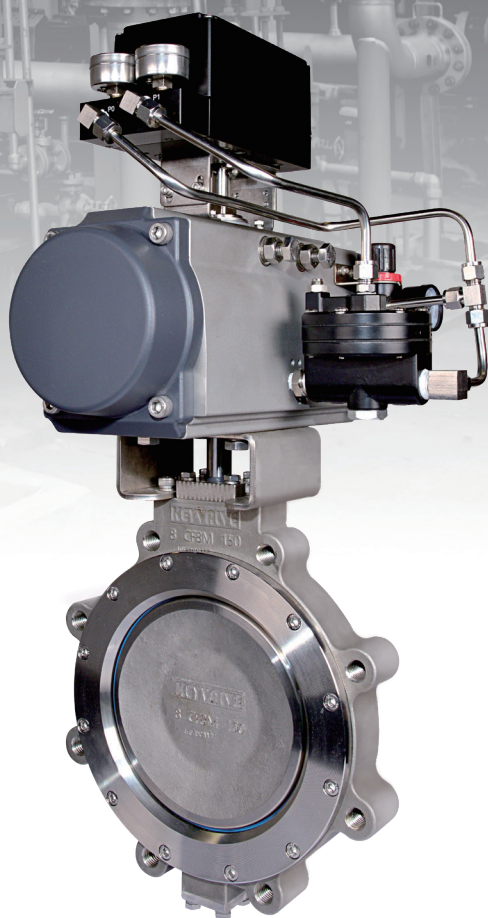


**KEYVALVE**

奇伟阀门(深圳)有限公司



**高性能双偏心蝶阀**

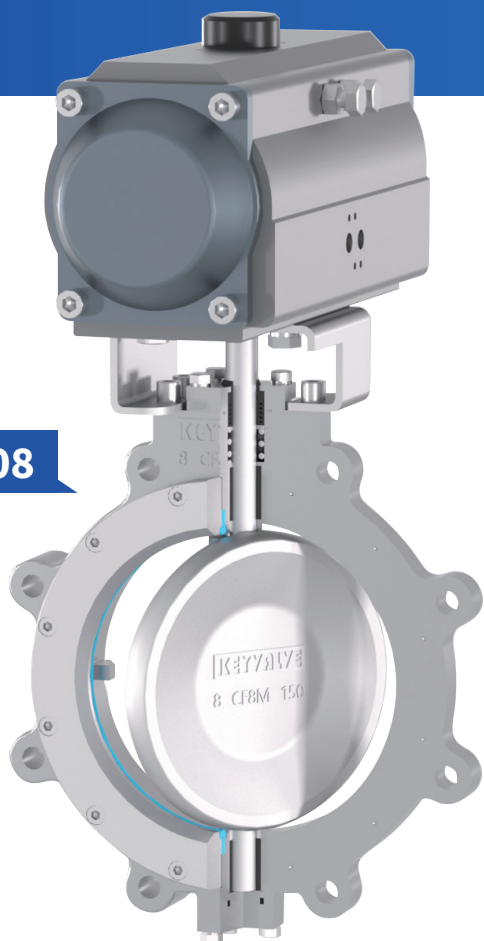
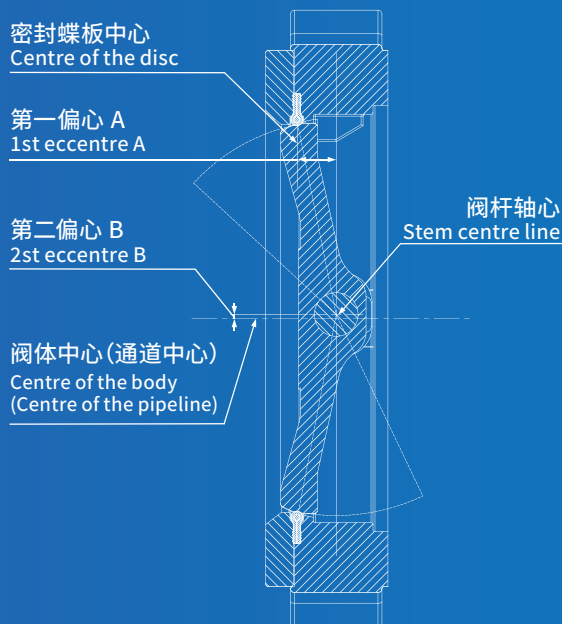
**High Performance**

**Double Eccentric Butterfly Valve**

## ■ 结构特点 Structure Features

阀杆轴心既偏离蝶板中心(第一偏心 A)、  
 阀杆轴心又偏离本体中心(第二偏心 B), 如右图:  
 为解决同心蝶阀的蝶板与阀座的挤压问题。双偏心结构使阀门在开启后蝶板能迅即脱离阀座, 减小了阀板与阀座的接触角度, 大幅度地消除了蝶板与阀座的不必要的过度挤压、刮擦现象, 减轻了开启阻距、降低了磨损、提高了阀座寿命。

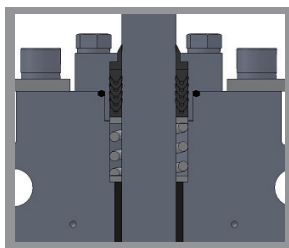
First eccentric A, the stem is offset centre of the disc.  
 Second eccentric B, the stem is offset centre of the body.  
 Shown in the figure:  
 This is solution of the excess pressure in between the disc and seat ring on cocentric valve. Double eccentric valve makes the disc and seat ring quick detach when valve opening. Reduces contact surface and eliminates the excess pressure and scratches on the disc and seat ring. Reduces torque and wears when the valve open, provides a longer service life.



## ■ 技术参数 Technical Data

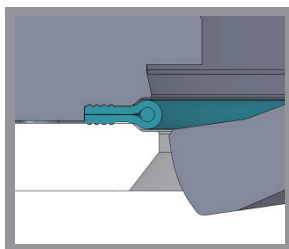
公称口径 Nominal Size	DN65-DN300
公称压力 Nominal Pressure	PN10 / 16 / 25 ANSI 150 / 300
主体材质 Body Material	CF8M, CF8
密封材质 Seat Material	RPTFE, 316
工作温度 Working Temp	-20~200°C (软密封 Soft Seat) -40~450°C (金属密封 Metal Seat)
适用介质 Medium	水、油、气 Water, Oil, Gas
驱动方式 Driving Mode	气动、电动、手动 Pneumatic, Electric, Manual
连接方式 Connection	法兰、对夹 Lug, Wafer

## ■ 性能特点 Performance Features



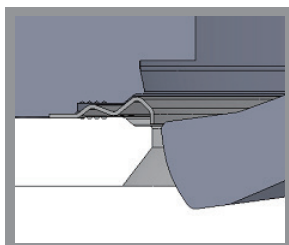
**轴杆密封**  
Stem Packing

- 材料采用PTFE+玻纤+二硫化钼覆合型材质，增强密封圈的润滑及耐磨性，保证密封圈恒久耐用；同时结构上密封填料压盖完全锁死，预加载的弹簧保证了轴杆处的持续密封，做到免维护效果。
- The material is PTFE & Glass Fiber & Molybdenum disulfide. This increases lubrication and reduces wears, guarantees the packing rings last for long time. The gland locks tight and a spring pre-loaded on the packing rings, it compresses the rings and guarantee seal tightly without maintenance.



**阀座(软密封)**  
Soft Seat

- 阀座材质为PTFE+玻纤内衬硅胶密封圈，更加耐磨，实验寿命达80万次；耐温性提高到200°C。
- 阀座更换快捷方便，只用拆一侧压板更换即可。
- The soft seat ring material is PTFE & Glass Fiber and lined with silicone. High wear-resistance with testing cycles over 800,000 times. The working temperature upon 200 °C.
- Easy maintenance and seat ring is replaceable. (removes set ring only).



**阀座(金属密封)**  
Metal Seat

- 316材质硬密封金属弹性密封圈能在+450°C高温下双向启闭介质。
- Metal seat ring by SS316, operation temperature upon 450°C.

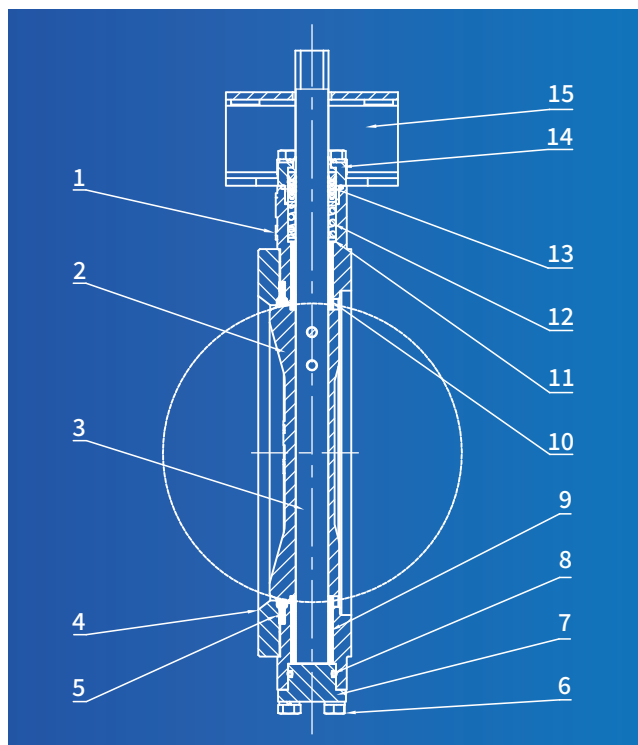


**紧固件防松**  
Self-Locking Washer

- 紧固件采用双叠自锁垫圈防松，防止因振动引起紧固件松脱，确保阀门的可靠性。
- The fastener is equipped with self-locking washer to prevent vibration and loose. Guarantee the bolt locks tightly.



## ■ 主要部件 Main Parts



## ■ 设计及验收标准 Design and Acceptance Standard

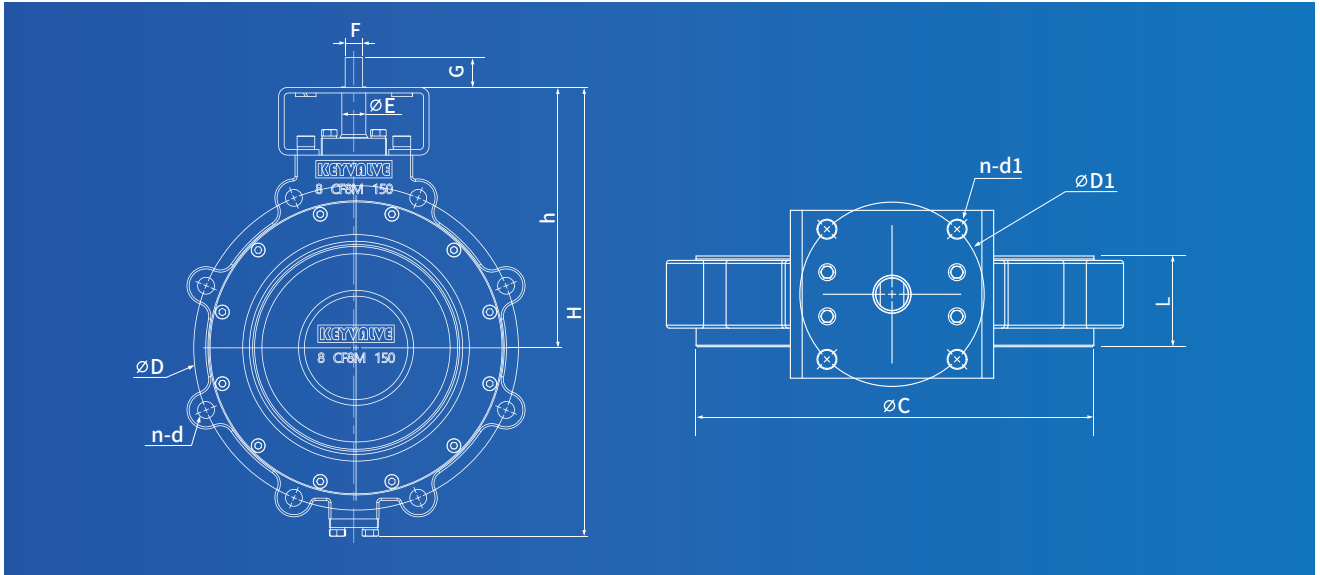
设计标准 Design Standard
ASME 16.34
法兰标准 Flange Standard
GB/T 9113、ASME16.5、DIN2533
结构长度标准 Structure Dimension
GB/T 12221、ASME B16.10
验收试压标准 Hydrostatic Test
GB/T 13927、API 598

## ■ 材料表 Material List

01	阀体	CF8M
02	阀板	CF8M
03	阀杆	SS431
04	压板	SS316
05	密封阀座(软密封)	RPTFE
	密封阀座(硬密封)	316
06	螺栓	A4-70
07	下端盖	CF8M
08	密封圈	硅橡胶
09	轴承套	PTFE+ 玻纤 + 二硫化钼
10	定位套	SS316
11	垫圈	SS316
12	弹簧	SS316
13	密封组件	PTFE+ 玻纤 + 二硫化钼
14	上压盖	SS304
15	连接支架	SS304

01	Body	CF8M
02	Disc	CF8M
03	Stem	SS431
04	Set Ring	SS316
05	Seat Ring(Soft Seat)	RPTFE
	Seat Ring(Metal Seat)	316
06	Bolt	A4-70
07	Bottom Cover	CF8M
08	Gasket	Silicon
09	Bush	PTFE & Glass Fiber & Molybdenum Disulfide
10	Set Pin	SS316
11	Packing Washer	SS316
12	Spring	SS316
13	Gland Packing	PTFE & Glass Fiber & Molybdenum Disulfide
14	Gland	SS304
15	Connector	SS304

## ■ 外形结构尺寸 Dimensions



外形尺寸 Dimensions (mm)

DN	65	80	100	125	150	200	250	300	
L	46	48	52	54	54	64	66	76	
H	194	212	248	293	330	412	480	530	
h	128	137	160	183	200	239	268	286	
ΦC	123	140	165	194	218	270	313	345	
ΦD1	70	70	102	102	102	125	125	125	
n-d1	4x9	4x9	4x11	4x11	4x11	4x13	4x13	4x13	
ΦE	14	14	16	20	20	22	24	24	
F	10	10	11.5	14.5	14.5	16	17.5	17.5	
G	17	17	19	23	23	27	27	27	
ASME (in)	ΦD	5.5	6	7.5	8.5	9.5	11.75	14.25	17
	nxΦd	4x0.75	4x0.75	8x0.75	8x0.88	8x0.88	8x0.88	12x1.0	12x1.0
	螺栓 Bolt	5/8	5/8	5/8	3/4	3/4	3/4	7/8	7/8
JIS	ΦD	140	150	175	210	240	290	355	400
	nxΦd	4x19	8x19	8x19	8x23	8x23	12x23	12x25	16x25
	螺栓 Bolt	M16	M16	M16	M20	M20	M20	M22	M22
GB/ DIN	ΦD	145	160	180	210	240	295	350	400
	nxΦd	4x18	8x18	8x18	8x18	8x22	12x22	12x26	12x26
	螺栓 Bolt	M16	M16	M16	M16	M20	M20	M24	M24

KEYVALVE 技术团队在蒸汽及流体控制技术的研发、设计及制造过程中积累30多年的经验,并通过欧盟 PED2014/68/EU Module H、SIL3、TS 及 ISO 9001 的质量体系认证,我们严格执行每个生产环境的质量控制,使产品质量和性能的可靠性得到绝对的保证,我们本着质量第一、优质服务、以客为本、持续发展的经营理念为客户创造价值。

KEYVALVE 产品畅销到全世界近20个国家,同时也为各工业领域提供各类产品,广泛应用于化工、造纸、锂电池、橡胶、棕油提炼、纺织生产等工业领域。

KEYVALVE technical team has more than 30 years of experience in design and manufacture of steam and fluid control products. We acquired TUV approval for PED2014/68/EU Module H, SIL3, TS and ISO9001. Also, we strictly enforce quality control on each product. We guarantee all products are reliable and performance as well. Our vision is “Customers Value Added” and the core value is “Quality to be First, Best service, Customer-Oriented, and Sustainable Development” .

KEYVALVE' s products have been sold to 20 countries . Customers are world-renowned companies in various industries including chemical, paper, battery, rubber, palm oil refining, textile and others.



Management System  
ISO 9001:2015  
www.tuv.com  
ID 9105069314



## 奇伟阀业有限公司

香港新界葵涌兴芳路223号新都会广场2座41楼4108-09室

## Keyvalve Co., Ltd

Units 4108-09, 41/F, Tower II, Metroplaza, No.233 Hing Fong Road, Kwai chung, New Territories, Hong Kong

Tel: (852) 2892 8878 Fax: (852) 8161 0688

E-Mail: enquiry@keyvalveltd.com Website: www.keyvalveltd.com

## 奇伟阀门(深圳)有限公司

深圳市龙华新区民治大道690号东盟大厦3楼F16

## Keyvalve (Shenzhen) Co., Ltd.

Room F16, 3rd Floor, Dongmeng Building, No. 690 Minzhi Avenue, Minzhi Street, Longhua District, Shenzhen.

Tel: (86) 755 8935 0380 Fax: (86) 755 8935 0360